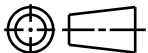
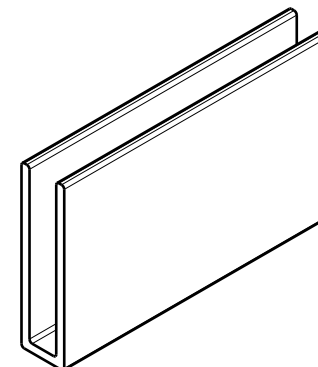


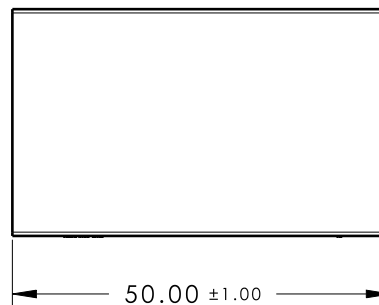
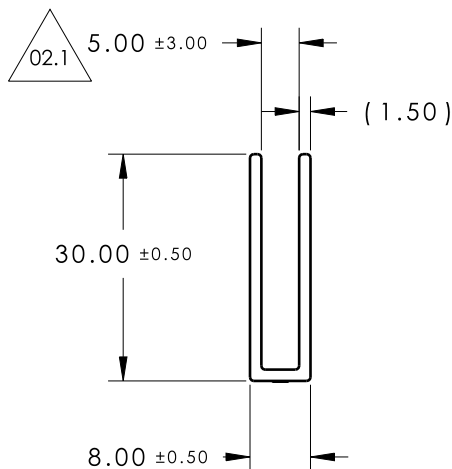
CATIA V5



Revision Level			Revision Record	Changed	Date	Approved	Date
Drawing	State	Part					
02.1	Design Release	A	SEE ECN# 012580	CJR	02/11/14	SJA	02/11/14



ISOMETRIC VIEW



Material
PP20%TC
COLOR: BLACK

Units millimeters

Tolerance defined on each dimension

The copyright of this drawing is reserved by HellermannTyton. It is issued on condition that it is not reproduced, copied or disclosed to a third party, either wholly or in part, without the consent of HellermannTyton.

Drawn	CJR	10/08/13
Approved	SJA	10/08/13

HellermannTyton

North America

Web: www.hellermann.tyton.com

Article/Type-No MINICHNL

Title U SHAPE MINI CHANNEL

Drawing-No PRODUCTION : Phase

13-0591-001-CSU

Scale 1:1

Project Number
13-0591

Format AH

Sheet 1/1